

MERKUR

Light, versatile and mobile



INNOVATIONS FOR PATIENT CARE

TRUMPF



Energy Independent Surgery



1 MERKUR 2.1 S with body elevator

The mobile operating table MERKUR 2.1 S includes all adjustment possibilities, which are required by a modern universal OR table for any surgery. Comprehensive accessories fulfil further wishes of the doctors – even in the case of special positioning.

The MERKUR 3 S model features an integrated body elevator.

- All functions can be manually adjusted
- Due to the pneumatic support, the table can be operated easily and with a minimum of exertion
- Even without a power supply and complex technology, the table offers a wide range of applications
- This mobility and versatility is a decisive advantage in difficult situations

- The proportions of column and chassis ensure the stability of the table
- High stability is ensured by the Y-shaped base as well as 4 wheels which can be extended in the brake position via a lever mechanism with cable pull
- The big wheels ensure outstanding running characteristics, both in freewheeling (all wheels move freely) and in directional running (one wheel is fixed) even on uneven floors
- Plenty of space for the surgical team's feet enables optimum working conditions
- Base, column covering, table top and standard rails are made of disinfectant-resistant, easy-to-clean stainless steel.



2 Head positioning with head rest system

3 Head positioning with Mayfield head positioning system

4 The extension unit turns the MERKUR into an optimum OR table for orthopaedics and traumatology

5 Gynaecology/Urology

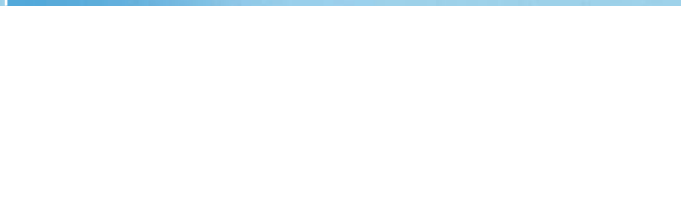
Optimum surgical positioning



1 *Hyperextended positioning for conventional gall bladder surgery*

The good adjustability of the OR tables MERKUR and the comprehensive accessories enable unlimited patient positioning for all surgical disciplines – including general surgery, knee arthroscopy, neurosurgery and gynaecology/urology as well as orthopaedics and traumatology.





2 Struma position
3 Endoscopic
inguinal hernia
4 Thorax position
with body
elevator

5 Thorax position
6 Arthroscopy
7 Head rest
system

8 Urology
9 Lithotomy
position
10 Renal
positioning

11 Spinal
positioning
12 Craniotomy
in supine
position
13 Craniotomy
in prone
position

- 1 Craniotomy semi-seated
- 2 Prone upper arm positioning



1



2

- 3/4 Femoral extension in supine position



3



4

Technical details

MERKUR 2.1 S

Material No. 4544057

Technical specifications

Mobile universal operating table in modular design with closed hydraulic system for height adjustment, with 4- to 8-fold segmented universal table top, 50-mm CFC-free pad, integral foam, electrically conductive and X-ray capable. Standard rails on both sides (10 x 25 mm) made of nickel-chromium steel for mounting accessories. Guide angle for X-ray cassette. Foot, column covering and table top made of nickel-chromium steel. Y-shaped chassis. TÜV-tested, CE-symbol.

Weight without head and leg section	120 kg
Weight with head and leg section (2-part)	150 kg
Height max.	1,040 mm
Height min.	740 mm
Lift	300 mm
Width over sliding rails	580 mm
Head section, length	300 mm
Back section, length	400 mm
Leg section one-part, length	730 mm
Leg section two-part, length	730 mm
Leg section four-part, length	275 / 510 mm
Overall length over head and leg section (2-part)	2,100 mm
Trendelenburg/Anti-Trendelenburg	25°
Tilting	± 20°
Back section, up	70°
Back section, down	45°
Leg section, up	20°
Leg section, down	85°
Body elevator max.	140 mm



Accessories

Material No.

Head section MERKUR, simple	4544472
Head section MERKUR, double joint	4544444
Leg section MERKUR, one-part	4544475
Leg section MERKUR, two-part	4544474
Leg holder after Goepel	4544736
Seat section extension MERKUR	4544510
Body elevator MERKUR	4544416

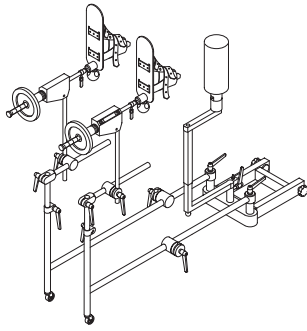
MERKUR 3 S

Material No. 4544058

Featuring an integrated body elevator (without illustration).

Additional extension MERKUR

Material No. 1219012



Additional extension for orthopaedics and traumatology; made of stainless steel and nickel-plated aluminium; for operating table MERKUR 2.1 S 4544057

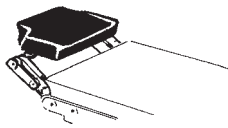
Basic equipment:

Mounting adaptor, right extension strut, left extension strut, leg holder (pair), countertraction strut, right L-adaptor, left L-adaptor, spindle traction mechanism (pair), countertraction adaptor, countertraction rod, large pelvic support; small pelvic support

Accessories	Material No.
Standard rail extension	1218664
Perineal cutout	1218870
Adaptor for Kirschner clamp	1218837
Adaptor for Kirschner clamp, simple	4544784
PVC extension shoes for children, pair	1218863
Adapter for extension shoes, pair	1218871
Leather sandal for additional extension, right	1232548
Leather sandal for additional extension, left	1232547
PVC extension shoe, left	1217672
PVC extension shoe, right	1217673

Head section MERKUR double joint

Material No. 4544444

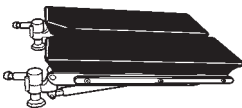


With double joint; pad integrally foamed, electrically conductive and soft; stainless steel frame

Technical specifications	
Length	300 mm
Width including side rails	510 mm
Pad length	220 mm x 370 mm
Adjustment range	± 55°

Leg section MERKUR two parts

Material No. 4544474



Pad integrally foamed, electrically conductive and soft; stainless steel frame

Technical specifications	
Length	800 mm

Pelvis extension MERKUR

Material No. 4544510

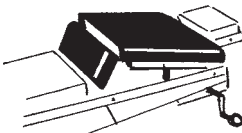


With rails for X-ray cassettes; adaptor for leg section two parts MERKUR short 4544455; pad integrally foamed, electrically conductive, soft and detachable; stainless steel frame

Technical specifications	
Length	300 mm

Body elevator MERKUR 2.1 S

Material No. 4544416



Smooth adjustment of flex-angle through crank; pads integrally foamed, electrically conductive and soft; stainless steel frame

Technical specifications	
Length	630 mm

Adjustment possibilities

<p>Hydraulic height adjustment</p>	<p>Trendelenburg/ Anti-Trendelenburg adjustment</p>	<p>Lateral tilting to both sides</p>	<p>Double joint head section adjustment: up/down, tilt up</p>
<p>Back section adjustment</p>	<p>Leg section adjustment</p>	<p>Spreading of leg sections</p>	<p>Body elevator adjustment</p>

TRUMPF

Medizin Systeme GmbH + Co. KG

Benzstrasse 26
82178 Puchheim
Germany
Telephone +49 (0) 89 / 8 09 07-0
Telefax +49 (0) 89 / 8 09 07-20
e-mail info@de.trumpf-med.com
www.trumpf-med.com

TRUMPF Medizin Systeme GmbH

Carl-Zeiss-Strasse 5
07318 Saalfeld
Germany
Telephone +49 (0) 36 71 / 5 86-0
Telefax +49 (0) 36 71 / 5 86-1 65
e-mail info@de.trumpf-med.com
www.trumpf-med.com

TRUMPF MED ITALIA s.r.l.

Via C. Battisti, 31/C
35010 Limena – PD
Italy
Telephone +39 0 49 - 8 84 38 00
Telefax +39 0 49 - 8 84 11 24
e-mail areaclienti@it.trumpf-med.com
www.it.trumpf-med.com

TRUMPF AMSA SAS

146, Bd Charcot
BP 477
63013 Clermont-Ferrand cedex 1
France
Telephone +33 (0) 4 73 19 50 50
Telefax +33 (0) 4 73 37 29 31
e-mail trumpf-amsa@trumpf-amsa.com
www.fr.trumpf-med.com

TRUMPF Medical Systems Ltd.

The Granary Pinkney Park
Malmesbury · Wiltshire · SN16 0NX
Great Britain
Telephone +44 (0) 16 66 84 10 01
Telefax +44 (0) 16 66 84 10 08
e-mail info@trumpf-med.co.uk
www.uk.trumpf-med.com

TRUMPF Medical Systems, Inc.

415 Jessen Lane
Charleston, SC 29492
USA
Telephone +1 (843) 5 34 06 06
Telefax +1 (843) 5 34 02 06
e-mail info@us.trumpf-med.com
www.us.trumpf-med.com

TRUMPF

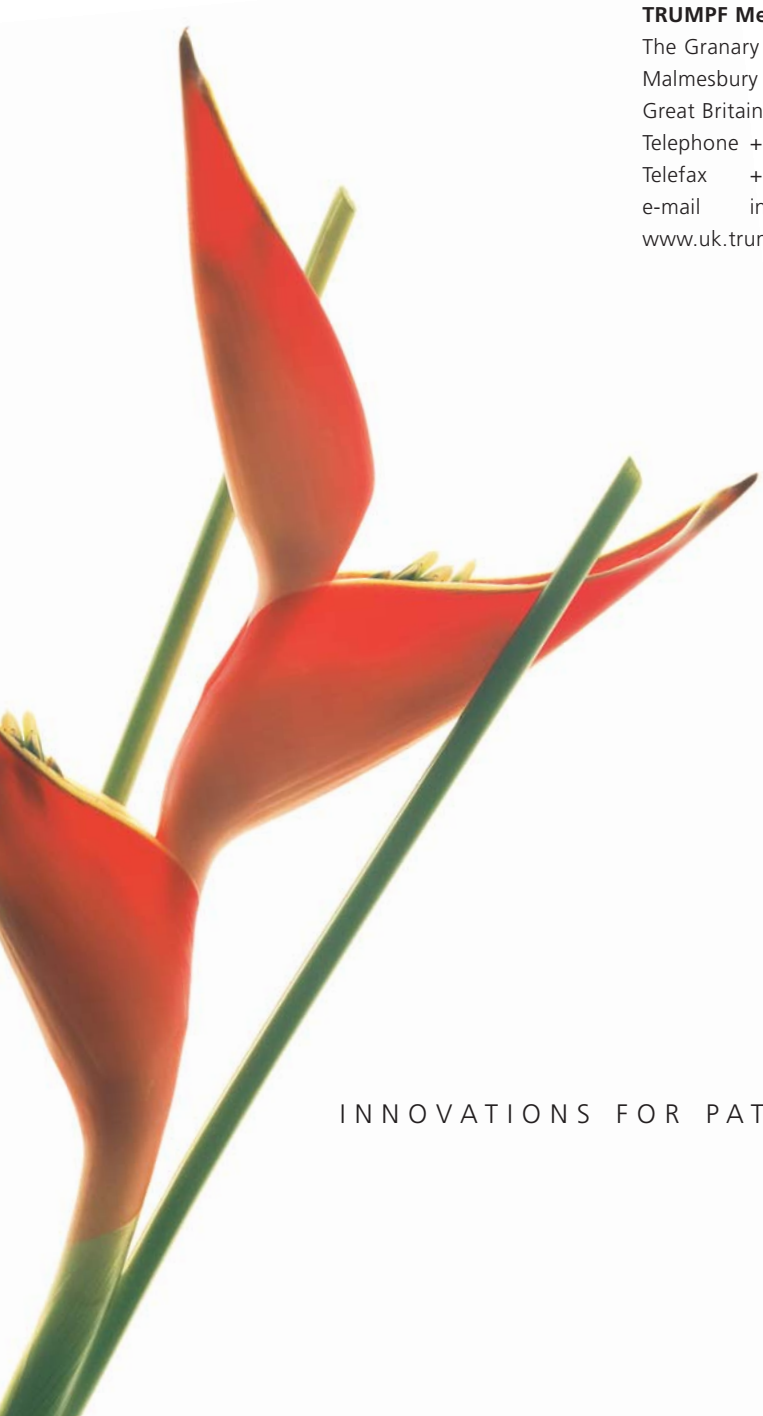
**Medizin Systeme GmbH & Co. KG
(Singapore)**

3791 Jalan Bukit Merah #09-21
Singapore 159471
Telephone +65 62 72 - 78 68
Telefax +65 62 75 - 78 68
e-mail sales@sg.trumpf-med.com
www.sg.trumpf-med.com

TRUMPF

Medical Systems Ltd.

Shanghai Representative Office
11H, Century Ba-Shi Building
398 Huai Hai Zhong Road
Shanghai 200020
P.R. China
Telephone +86 21 63 85 10 38
Telefax +86 21 63 85 16 60
e-mail info@cn.trumpf-med.com
www.trumpf-med.com



INNOVATIONS FOR PATIENT CARE

