

CALYPSO

Plaster Table and Emergency Transporter



TRUMPF



CALYPSO - a Convincing Concept

The Concept

CALYPSO offers optimal solutions for transport, diagnosis and treatment - from initial treatment through to plastering. The concept meets all the requirements of a modern polyclinic, takes into account both space limitations and financial constraints, as well as providing quickness and flexibility.

The open C-form allows problem-free radiography with the C-shaped frame.

The large castors guarantee optimal running.

The **CALYPSO GT** is a fully-functional emergency transporter and plaster table combined in one unit. Just one product equips the polyclinic for all tasks.

Particularly important features: One single unit saves both expense and storage space. It also has fast availability as conversion only requires a few simple actions.

The emergency transporter **CALYPSO NT** is the basis solution if the plaster table feature is not required.

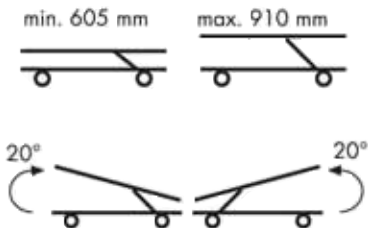


CALYPSO GT



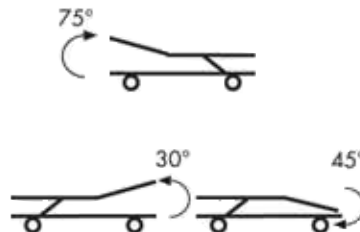
CALYPSO NT

Height adjustment with foot-operated hydraulics



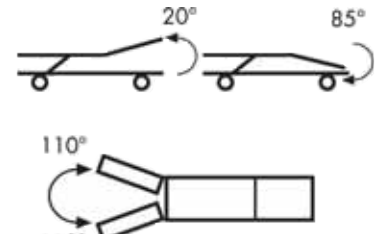
Continuous Trendelenburg and anti-Trendelenburg positioning

Pneumatic-spring assisted adjustment of the back section



(CALYPSO NT, NT-I)

Pneumatic-spring assisted adjustment of the leg sections



(CALYPSO GT, MT)

Pneumatic-spring assisted adjustment of the leg sections



Logical operating concept:
Secure handling for all users.



The minimum height of 605 mm enables even older and smaller patients to get on easily. The hydraulic system is adjusted by a foot control. The hands remain free for treating the patient.



Optimal positioning of all emergency patients (e.g. beach-chair position for asthma cases).



Extra support for reanimation. The reanimation support can be folded out when required.



Trendelenburg / anti-Trendelenburg positions can be continuously adjusted without moving the patient.

The **CALYPSO GT** is qualified for both applying plaster bandages to the extremities (including pelvic plasters) and for emergency transport.

The plaster table **CALYPSO GT** has many convincing user-oriented details:

Ideal working conditions

because the gallows are fixed directly to the tabletop - and that means no restrictions in the area under the tabletop and the C-shaped frame provides excellent access.

The tabletop and gallows form a **single unit**. This allows unrestricted adjustment of height and Trendelenburg/anti-Trendelenburg throughout their entire ranges.

The gallows can be attached left or right and towards the foot or head end as required.

Covering the gallow adapters with plastic caps which are fixed on the table.

All stainless steel construction, i.e. hygienic material and ideal protection against corrosion.

Practical accessories allow adaptation to individual requirements. For example, special traction alignment for repositioning forearm and humerus fractures, and two sizes of plaster board for optimal patient positioning.



Hanger with 4 hooks
Item No. 4 544 485
Chain 1000
Item No. 4 544 487
length 1 m
Chain 1500
Item No. 4 544 488
length 1.5 m



Meniscus roll
Item No. 4 544 791
without clamp
Y-radial clamp
Item No. 4 544 700



Trolley for plastering accessories
Item No. 4 545 637



Retainer orthopaedics bench GT
Item No. 1 381 249
Orthopaedics bench/Adapter for counter traction post
Item No. 4 544 158/4 544 159
Plasterboard large
Item No. 4 544 458
dim.: 200 mm x 80 mm
Plaster board small
Item No. 4 544 459
dim.: 160 mm x 60 mm
Counter-traction post
Item No. 1 218 835



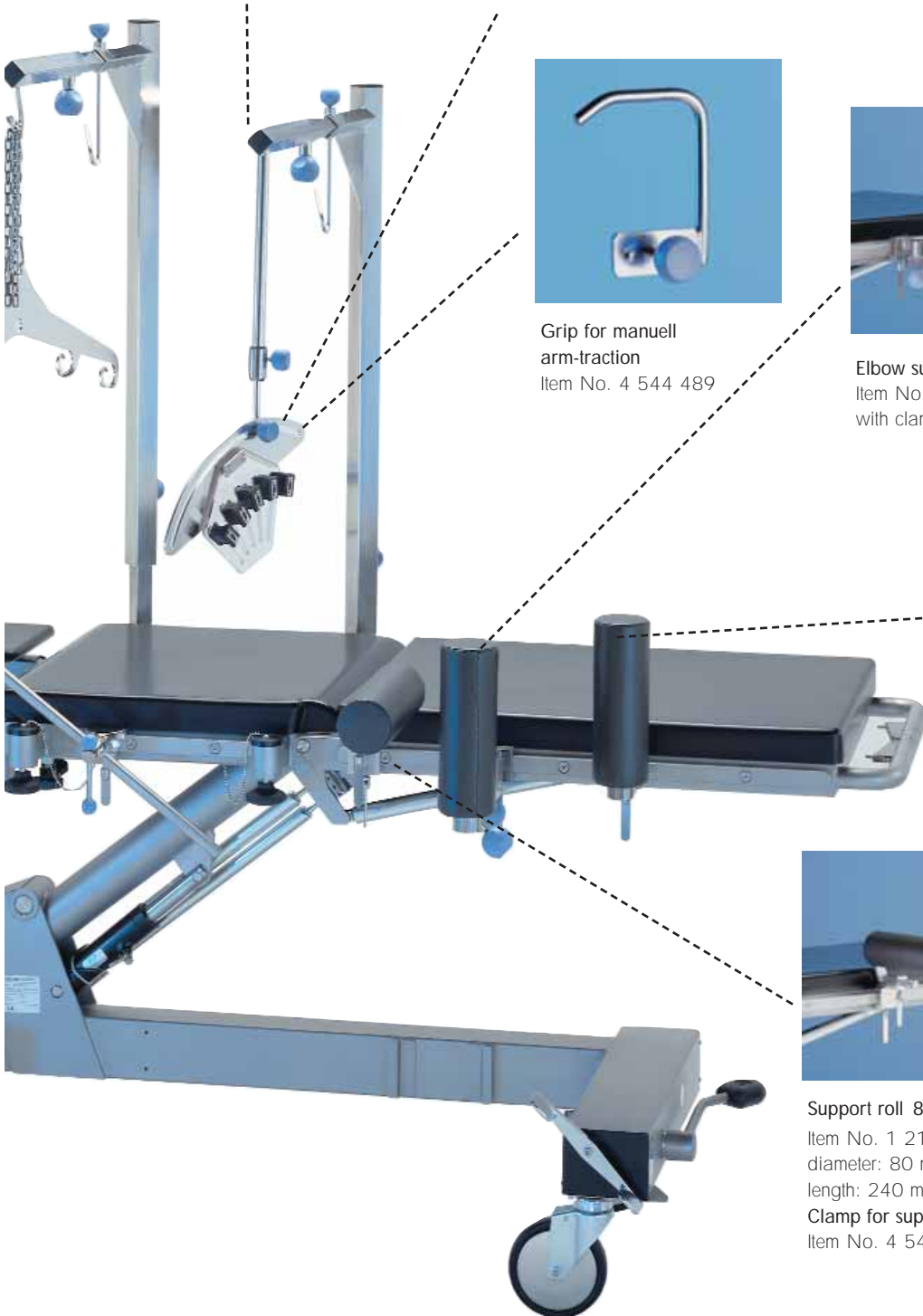
CALYPSO GT - the Multi-Functional Plastering Table



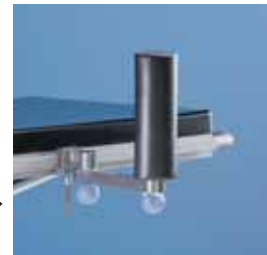
Gallows adapter vertical
Item No. 4 544 479



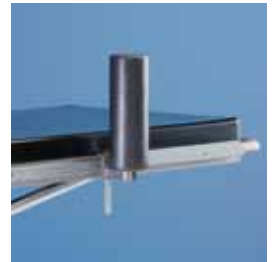
hand-traction Weinberger-type
with bow
Item No. 4 544 478



Grip for manuell
arm-traction
Item No. 4 544 489



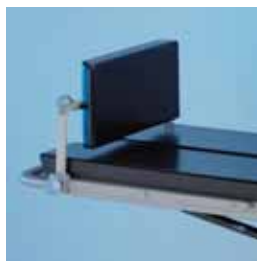
Elbow support
Item No. 1 218 847
with clamp



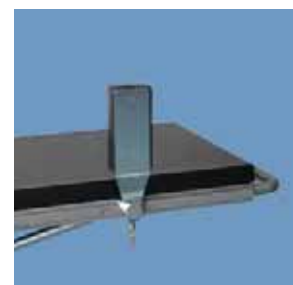
Axilla support
Item No. 1 218 848
with clamp



Support roll 80
Item No. 1 218 818
diameter: 80 mm
length: 240 mm
Clamp for support roll
Item No. 4 544 483



Full-width foot support
Item No. 4 544 421
with clamp



Lateral support
Item No. 4 544 724
with clamp;
dimension pad:
215 mm x 100 mm x 50 mm

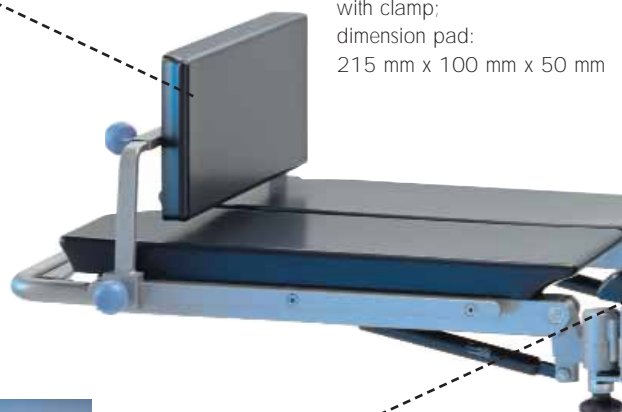
By removing the gallows the **CALYPSO GT** can be converted into a fully-functional emergency transporter which can even compete with the classical polyclinic table.

The **CALYPSO GT** provides ideal conditions for all typical polyclinic examinations.

The two-part leg section can be raised, lowered and abducted, and each half of the leg section can be removed separately. This allows optimal access to the patient, especially for examinations in the leg and pelvic areas.

The large castors with directional locking and free swivelling allow fast and safe transport of emergency patients - both on long corridors and in tight corners.

A comprehensive range of accessories enables the emergency transporter to be equipped to meet specific requirements.



Body strap with locking clamp
Item No. 4 544 702
strap width: 100 mm
max. length: 1380 mm



Wire-mesh basket 1/2
Item No. 1 215 712
dimension:
575 mm x 280 mm x 130 mm
Holder for wire-mesh basket
Item No. 4 545 612

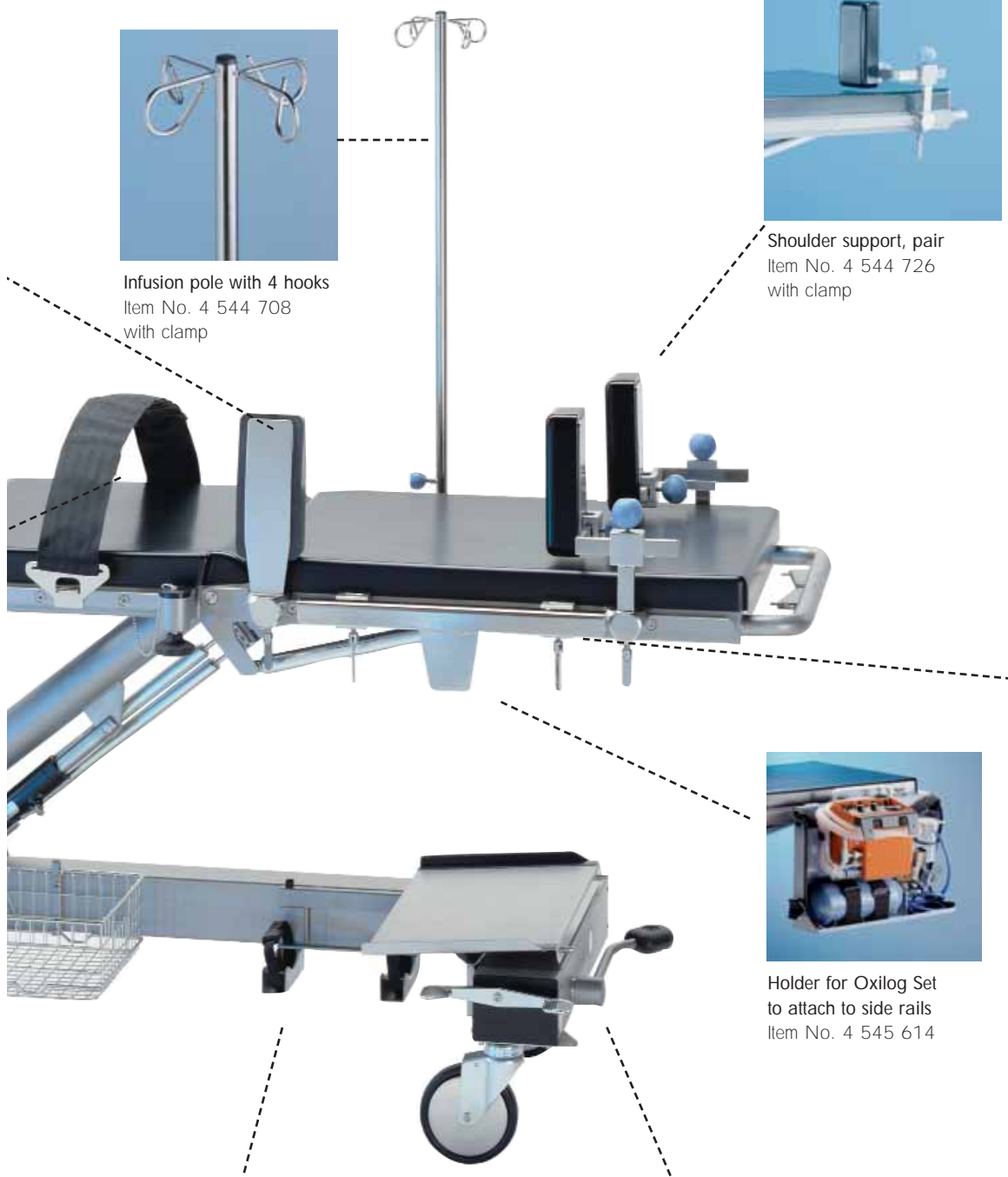
CALYPSO GT - in Use as an Emergency Transporter



Infusion pole with 4 hooks
Item No. 4 544 708
with clamp



Shoulder support, pair
Item No. 4 544 726
with clamp



X-ray cassette holder comfort
Item No. 1 305 492
with clamp;
maximum weight of X-ray cas-
settes: 3 kg



Holder for Oxilog Set
to attach to side rails
Item No. 4 545 614



Oxygen bottle holder
Item No. 4 545 609



Chassis frame holder for
Oxilog Set
Item No. 4 545 611

The CALYPSO NT emergency transporter offers an economical solution whenever a plaster table option is not required.

All typical polyclinic patient positions can be realized with the CALYPSO NT. The large castors with directional locking and free swivelling allow fast and safe transport of emergency patients - both on long corridors and in tight corners.

A comprehensive range of accessories enables the transporter to be equipped for specific requirements.



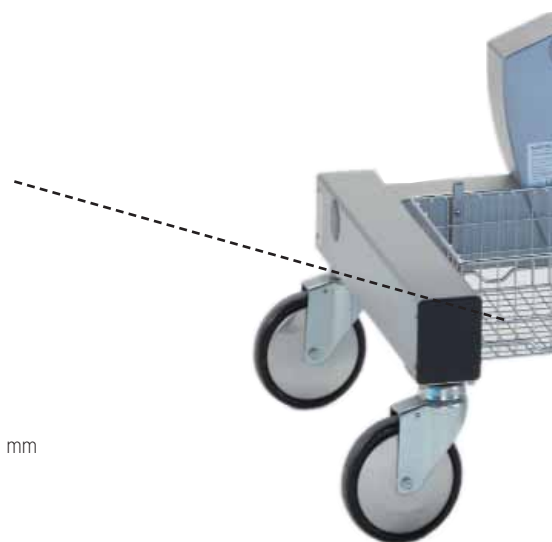
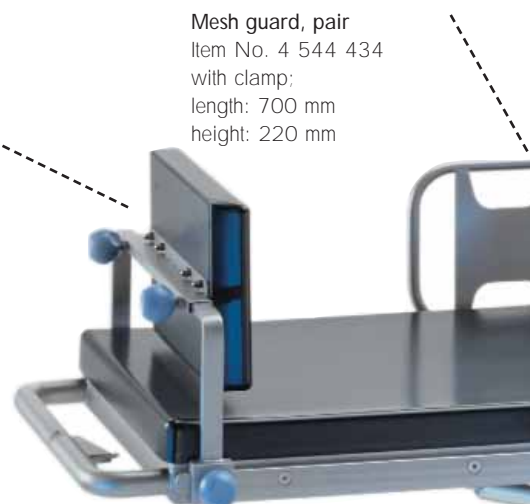
Full-width foot support
Item No. 4 544 421
with clamp;
dimension pad:
470 mm x 220 mm



Mesh guard, pair
Item No. 4 544 434
with clamp;
length: 700 mm
height: 220 mm



Wire-mesh basket 1/2
Item No. 1 215 712
dim.: 575 mm x 280 mm x 130 mm
Holder for wire-mesh basket
Item No. 4 545 612



CALYPSO NT - the Economical Variant



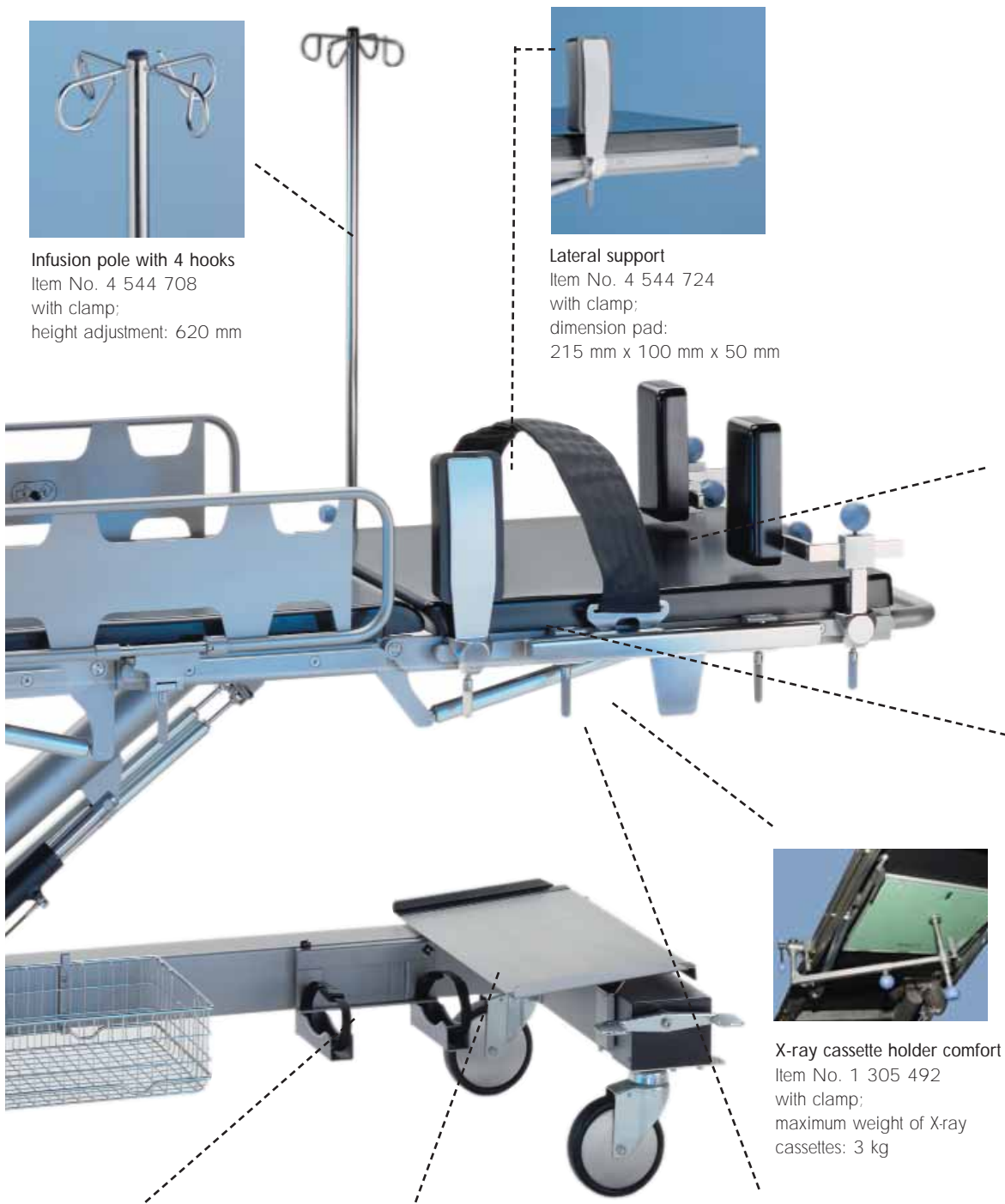
Infusion pole with 4 hooks
Item No. 4 544 708
with clamp;
height adjustment: 620 mm



Lateral support
Item No. 4 544 724
with clamp;
dimension pad:
215 mm x 100 mm x 50 mm



Shoulder support, pair
Item No. 4 544 726
with clamp;
longitudinal shift: 130 mm
transversal shift: 90 mm



Body strap with locking clamp
Item No. 4 544 702
strap width: 100 mm
max. length: 1380 mm



X-ray cassette holder comfort
Item No. 1 305 492
with clamp;
maximum weight of X-ray
cassettes: 3 kg



Oxygen bottle holder
Item No. 4 545 609



**Chassis frame holder for
Oxilog Set**
Item No. 4 545 611



**Holder for Oxilog Set
to attach to side rails**
Item No. 4 545 614

CALYPSO GT PLASTER TABLE

Item no.: 4 544 225

Multifunctional emergency transporter with radiolucent bed surface; used in combination with accessories, the emergency transporter is suitable for straightforward repositioning of fractures and putting extremities or the pelvis in plaster; manual, pneumatic spring assisted Trendelenburg / anti-Trendelenburg adjustment, back and leg section; as well as pedal-operated, hydraulic height adjustment; four-part bed surface with side rails and integrated reanimation support; holder for a maximum of two optional height-adjustable and telescopic gallows; two-part leg section, detachable (not included in delivery); pad 50 mm thick, integrally-foamed, electrically conductive and resistant to disinfectant; U-shaped chassis with maximum C-shape accessibility, 4 electrically conductive castors; pedals for brake, directional travel and free running; tabletop frame, column and chassis made of stainless, high-grade steel; side rails are fitted to each of the long sides for the attachment of operating table accessories.

Leg section CALYPSO two parts

Item no.: 4 232 150

Technical Data

Trendelenburg/anti-Trendelenburg	20°/20°
pad width	130 mm
back section up/down	75°/0°
leg section up/down	30°/45°
height of bed surface	605 mm - 910 mm
dimension bed surface	2.040 mm x 600 mm
dimension floor space	2.160 mm x 700 mm
weight	106 kg



CALYPSO - the Technical Details

CALYPSO EMERGENCY TRANSPORTER

Multifunctional emergency transporter with 3-part radiolucent table top surface; pneumatic-spring assisted Trendelenburg/anti-Trendelenburg adjustment, back and leg section; as well as pedal-operated, hydraulic height adjustment; bed surface with integrated reanimation support, and holder for a maximum of two optional height-adjustable, telescopic gallows; pad 50 mm thick, integrally-foamed, electrically conductive and resistant to disinfectant; U-shaped chassis with maximum C-shape accessibility, 4 electrically conductive castors; pedals for brake, directional travel and free running; tabletop frame, column and chassis made of stainless, high grade steel; standard rails are fitted to each of the long sides for the attachment of operating table accessories.

CALYPSO NT Emergency Transporter

Item no.: 4 544 202

Three-part bed surface consisting of back section, seat section and one-part, non-detachable leg section; pedals for brake, directional travel and free running at head end.

CALYPSO NT I Emergency Transporter

Item no.: 4 544 204

Three-part bed surface consisting of back section, seat section and one-piece, non-detachable leg section; pedals for brake, directional travel and free running at foot end.

CALYPSO MT Emergency Transporter

Item no.: 4 544 203

Two-part bed surface consisting of back section, seat section and two-part leg section, detachable (not included delivery); pedals for brake, directional travel and free running at head end.

Leg section CALYPSO two parts

Item no.: 4 232 150

Technical data

Trendelenburg/anti-Trendelenburg	20°/20°
back section up/down	75°/0°
leg section up/down	30°/45°
height of bed surface	605 mm - 910 mm
dimension bed surface	2.040 mm x 600 mm
dimension floor space	2.160 mm x 700 mm
weight	106 kg



TRUMPF



TRUMPF Medizin Systeme GmbH
P.O.B. 1263
07303 Saalfeld
Germany

Telephone: +49 (0) 36 71/ 5 86-0
Telefax: +49 (0) 36 71/ 58 61 66
e-mail: info@de.trumpf-med.com
www.trumpf-med.com